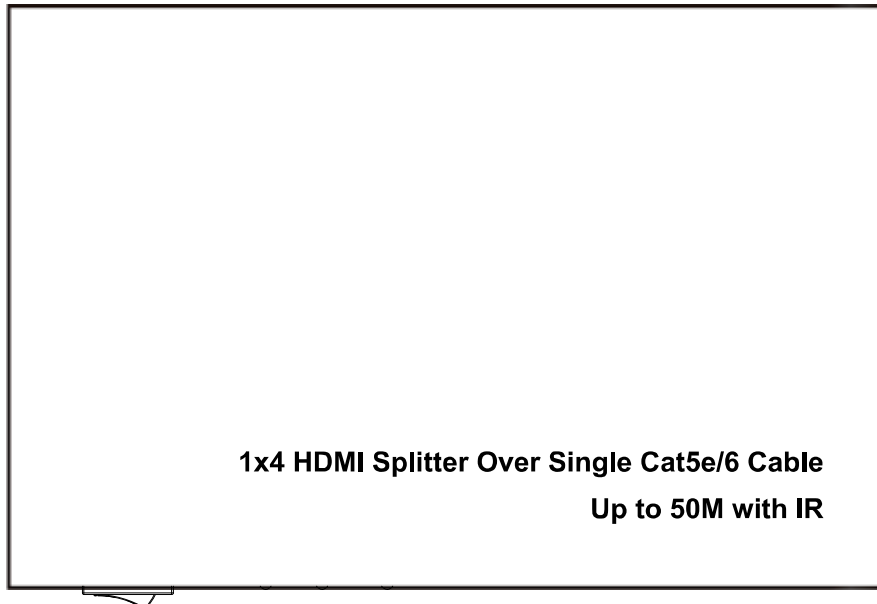


# 1x4 HDMI Splitter Over Single Cat5e/6 Cable

## Up to 50M with IR

### Operating Instructions



### Notice

The information in this document is subject to change without notice. Every effort has been made in the preparation of this document to ensure accuracy of the contents, but all statements, information, and recommendations in this document do not constitute the warranty of any kind, express or implied.

### Features

- Distribute 1 HDMI signal to 4 identical UTP outputs synchronously, with 1x looping HDMI output.
- Transmit over 50m single Cat5e/6 cable.
- Can be cascaded for 4 layers.
- With wide-band Bi-Direction IR control (38 ~ 56 kHz).  
(IR extension from Sender to Receiver or from Receiver to Sender)
- Support Full HD 1080p, VESA resolution: 1920x1200.
- Supports Dolby<sup>®</sup> TrueHD, DTS-HD<sup>®</sup> Master Audio<sup>™</sup>.
- Support 3D.

### Package Contents

- 1 x HDMI Splitter
- 1 x 12V DC Adapter
- 1 x User Manual

## SPECIFICATIONS

|                             |   |
|-----------------------------|---|
| Operating Temperature Range | -5 to +35°C(+23 to +95°F)   |
| Operating Humidity Range    | 5 to 90%RH (No Condensation)  |
| Video Amplifier Bandwidth   | 140MHz  |
| Input Video Signal          | 0.5-1.0 Volts P-P   |
| Input DDC Signal            | 5 volts p-p(TTL)  |
| Data transfer speed rate    | 6.75Gbps(Maximum)   |
| Input port                  | 1xHDMI  |
| Output ports                | 4xCat5e/6, 1xHDMI   |
| Video Format Supported      | DTV/HDTV:720P/1080i/1080P<br>VESA resolution:1920x1200 <sup>①</sup><br>3D video support |
| Vertical Frequency range    | 60Hz  |
| Support Audio Format        | DTS-HD Master Audio, Dolby True HD, multi-channel 5.1, stereo etc <sup>②</sup>          |
| Transmission Distance       | 1080P 8-bit 50m<br>Over single cat5e or cat6 cable/24AWG/Solid <sup>③</sup>             |
| Power consumption           | 12W(Max)  |
| Dimension (L×W×H)           | L203xW134xH29.2mm   |
| Net Weight                  | 823.1g  |

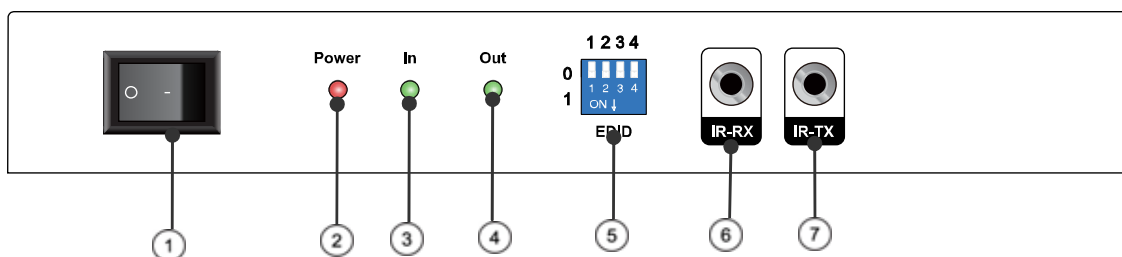
Note: ① The transmission distance is Max 40m under 1920x1200 resolution.

② The distance is 40m under 5.1CH or 7.1CH.

③ Under perfect transmission conditions including straight cable runs with no electrical interference, bends, kinks, patch panels or wall outlets.

## PANEL DESCRIPTIONS

### Front Panel



1. Power on/off: press the up/down to open/close the device.

2. Power input indicator

3. Indicator of HDMI input

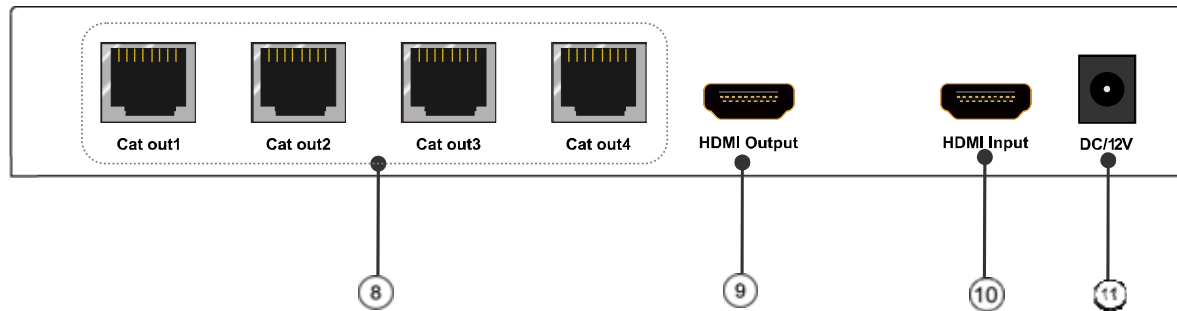
4. Indicator of HDMI output

5. DIP switch for EDID setting

6. IR-RX port

7. IR-TX port

## Rear Panel



8. CAT-5E/6 out ports

10. HDMI input

9. HDMI output

11. Power input

## DIP Switch for EDID Setting

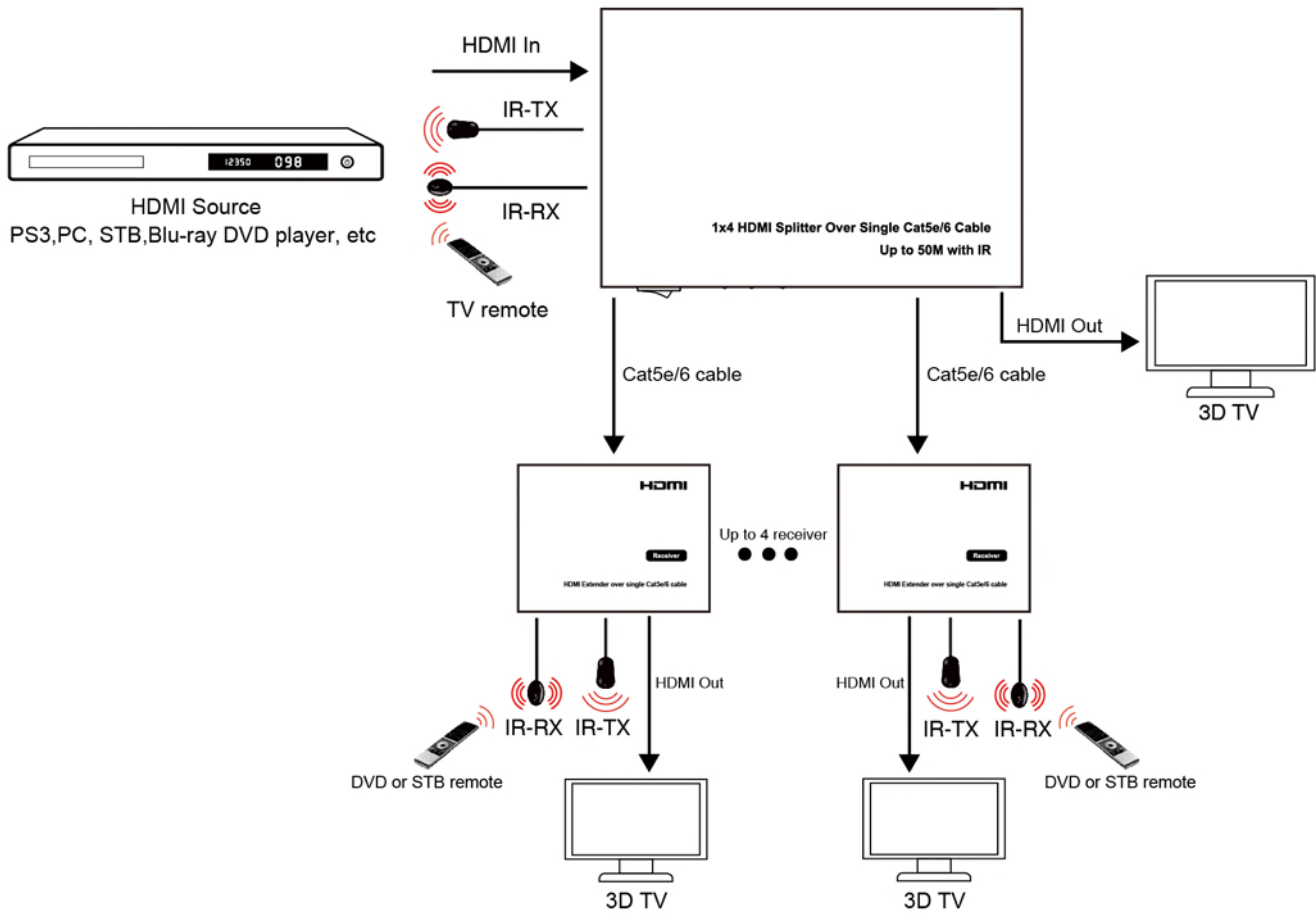
| DIP Switch | EDID                  |
|------------|-----------------------|
| 0000       | Default (1080P2D 2ch) |
| 0001       | Copy from HDMI output |
| 0010       | 1080P2D 2CH           |
| 0011       | 1080P2D 6CH           |
| 0100       | 1080P2D 8CH           |
| 0101       | Reserved              |
| 0110       | 1080P3D 2CH           |
| 0111       | 1080P3D 6CH           |
| 1111       | 1080P3D 8CH           |

## Connecting and operating

- 1) Connect the HDMI input source into HDMI splitter.
- 2) Connect HDMI splitter and receiver by single cat5e/6 cable (The cable termination must follow the standard of EIA/TIA 568B).
- 3) Connect the HDMI display (such as HD-LCD/HD-DLP) into the HDMI output of receiver.
- 4) Connect the Loop HDMI output port of HDMI Splitter with the HDMI Display (such as HD-LCD/HD-DLP) by HDMI cable.
- 5) Plug IR TX cable and IR RX cable to IR port of the Splitter.
- 6) Plug IR TX cable and IR RX cable to IR port of the Receiver.
- 7) Insert the DC 12V power supply into HDMI splitter and receiver.

# Connection Diagram

## Application 1:



## Application 2: Cascade for 4 layers

